

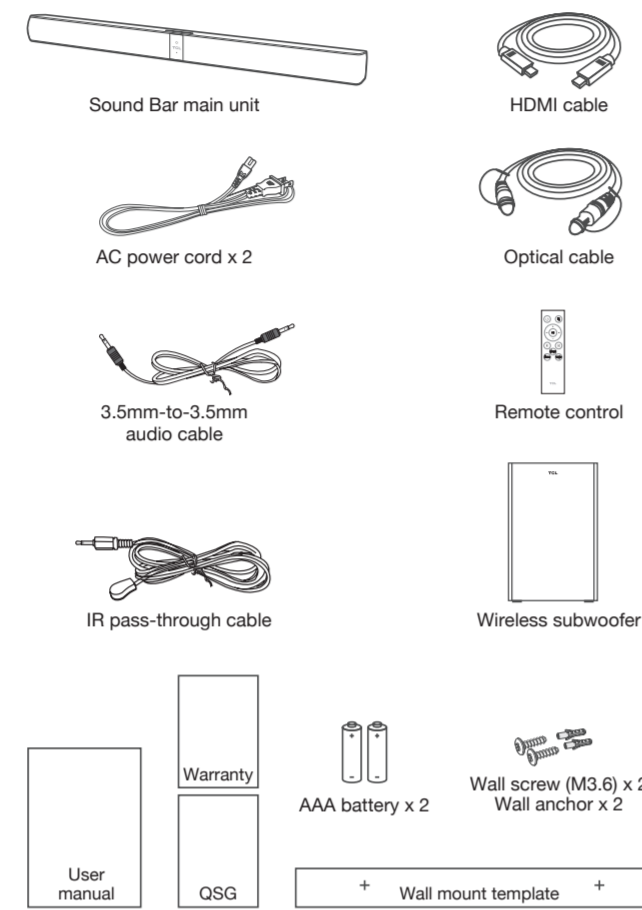
**TCL**

2.1 Channel Home Theater Sound Bar  
TS7010

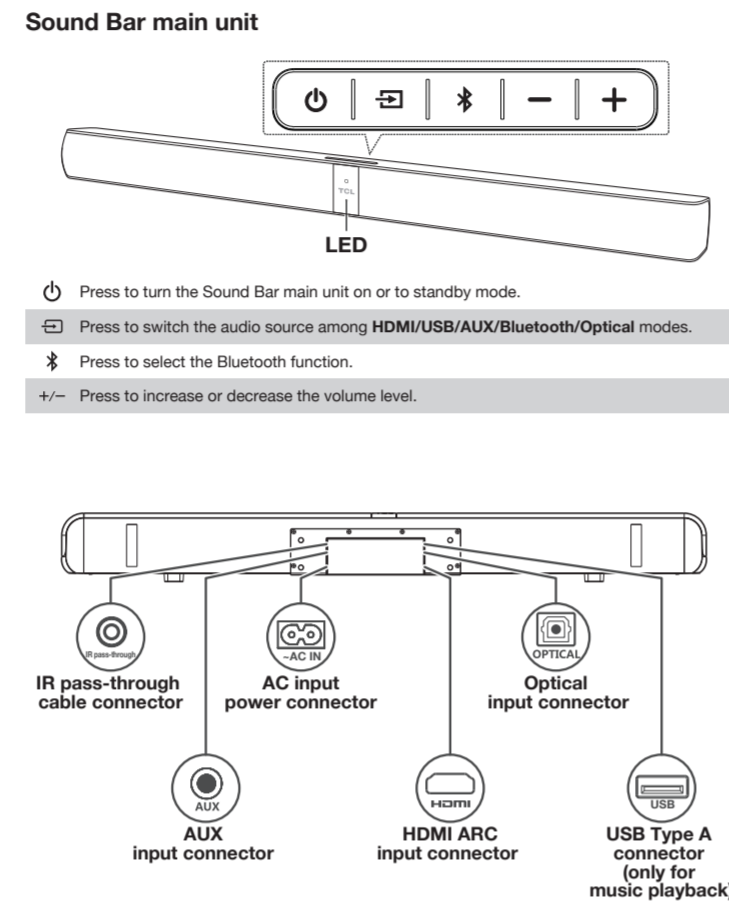


Quick start guide

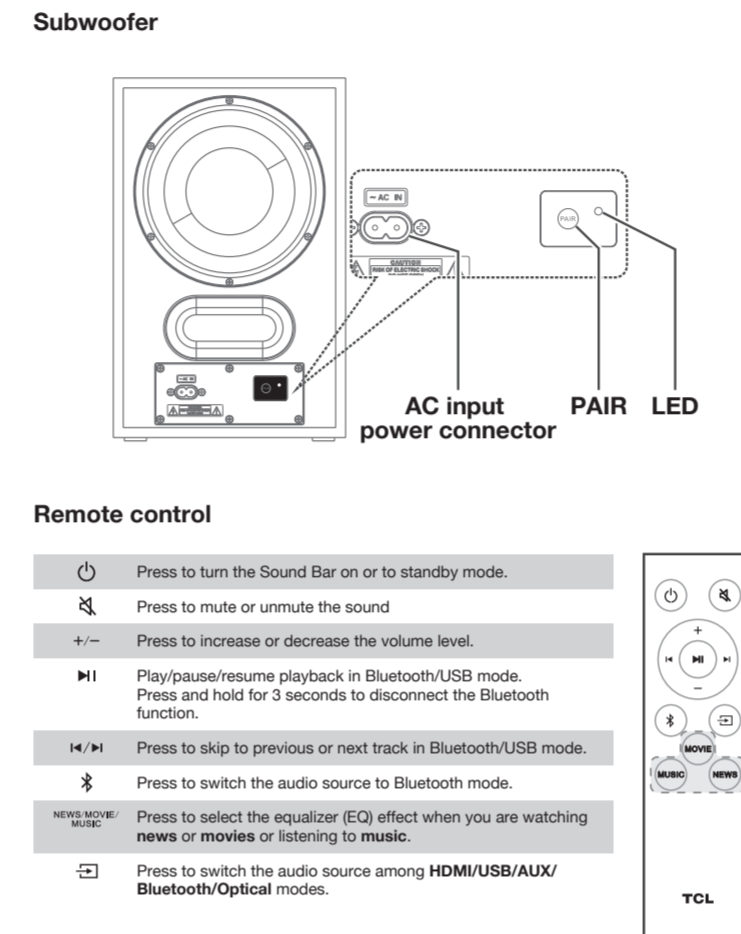
1. What's in the box



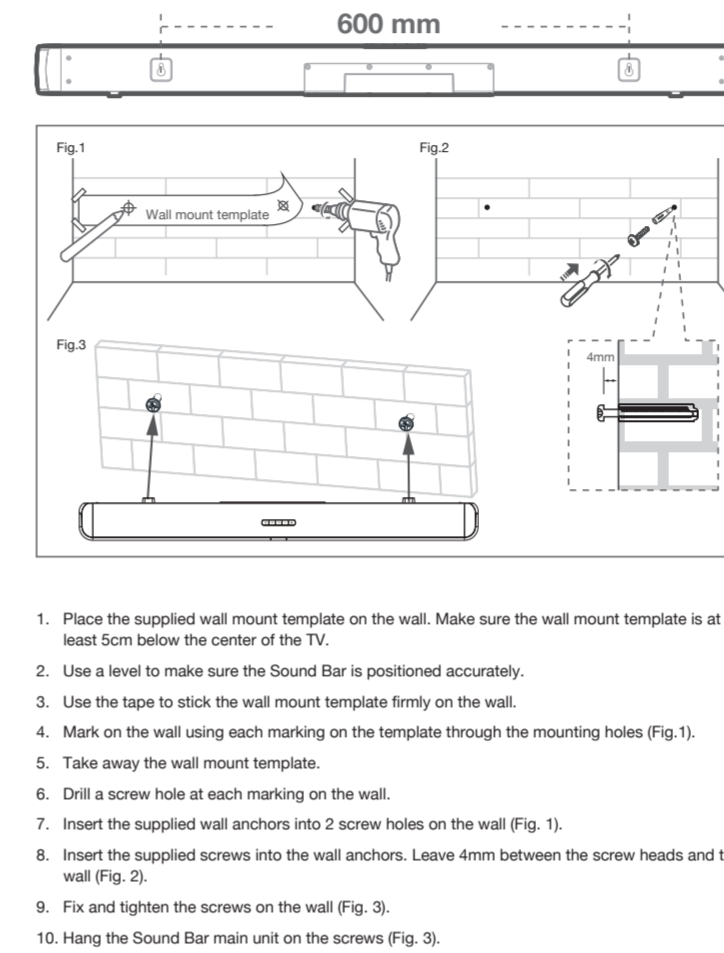
2a. Overview



2b. Overview



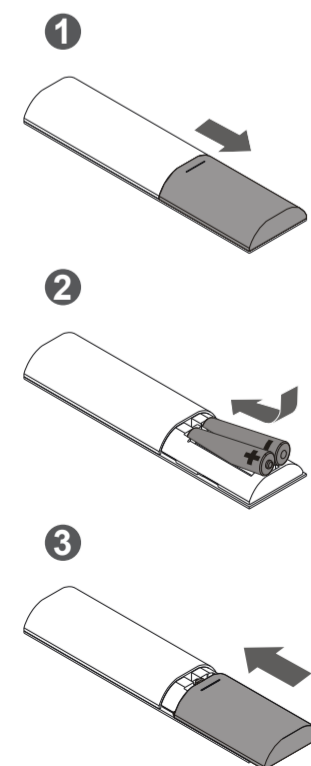
3. Wall mount



Copyright © 2019 TCL.  
All rights reserved.  
TS7010\_AU\_EN\_QSG\_V2.0



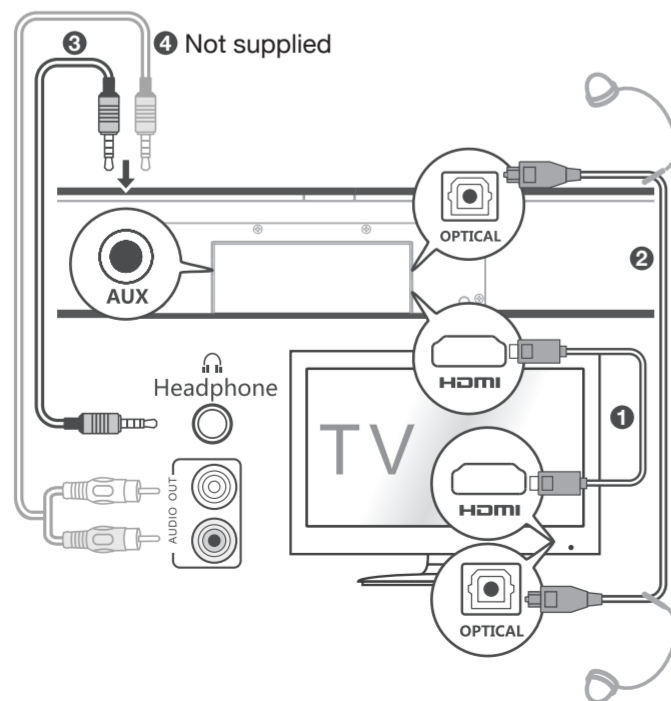
4. Install/replace the remote control batteries



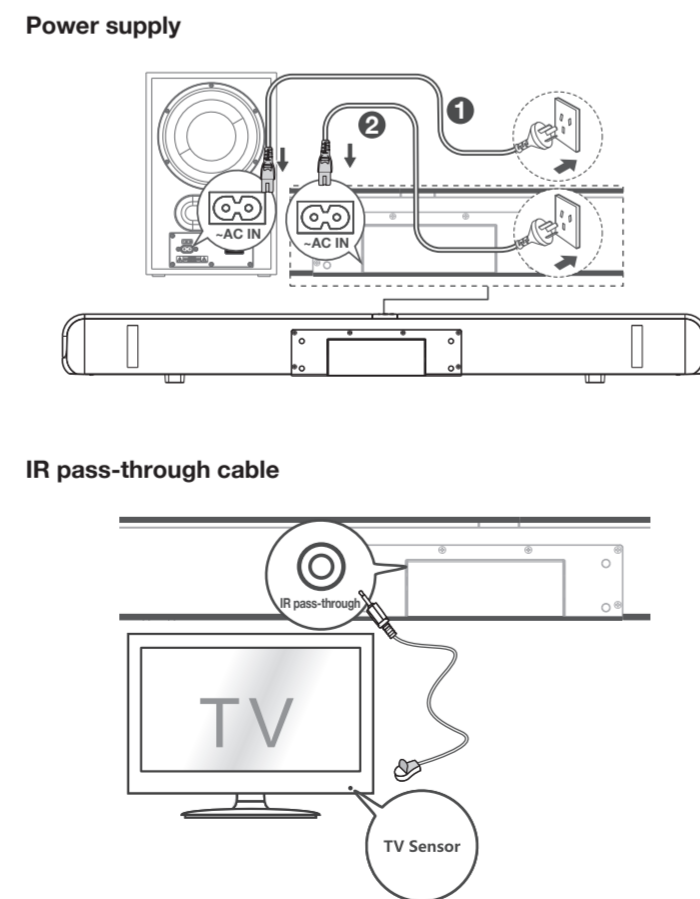
Battery type:  
1.5V AAA battery x 2

5a. Connect

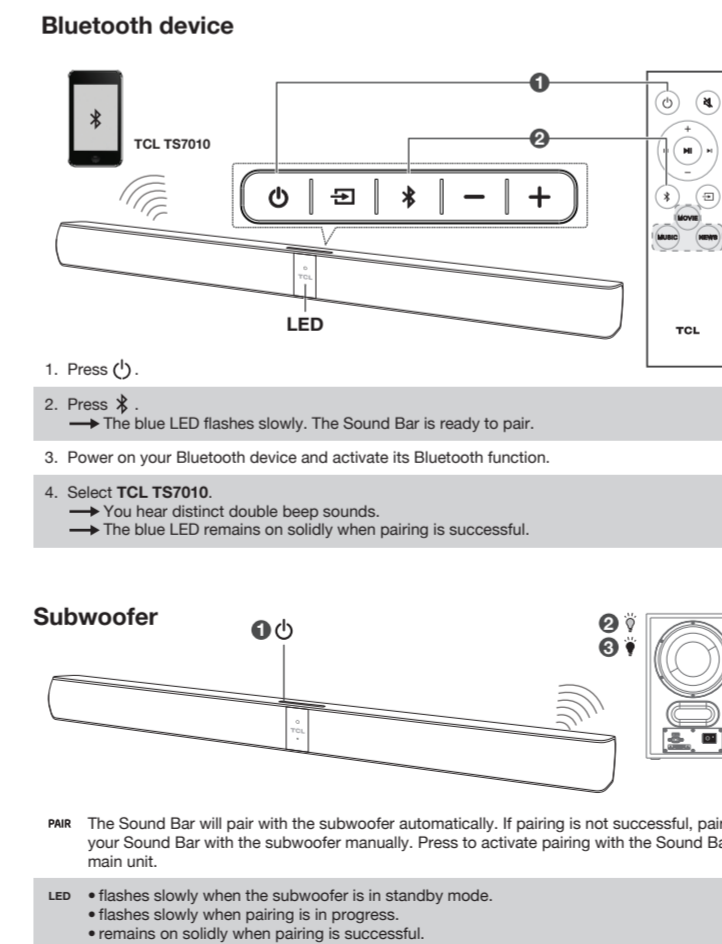
1. HDMI cable
2. Optical cable
3. 3.5mm-to-3.5mm audio cable
4. RCA-to-3.5mm (not supplied)



5b. Connect



6. Pairing



7a. Use

LED behaviors under different source mode	
Sound Bar status	LED indicators
in standby mode	The red LED is on solidly.
in HDMI ARC mode	The purple LED is on solidly.
in AUX mode	The green LED is on solidly.
in Bluetooth mode	The blue LED is on solidly.
ready to pair	The blue LED flashes slowly.
pairing in progress	The blue LED flashes slowly.
in optical mode	The yellow LED is on solidly.
in USB mode	The white LED is on solidly.

Remote sound functions	
Operation	LED indicators
+/-	The white LED flashes quickly and goes back to the source LED.
Mute	The red LED keeps flashing.
Left Arrow	The red LED flashes and goes back to the source LED.
Right Arrow	The white LED flashes once.
MOVIE	The white LED flashes once.
MUSIC	The green LED flashes once.
NEWS	The yellow LED flashes once.

7c. Use

